



## Leading Manufacturer Provides Solar Power Safety



# Leading Supplier for Solar String Box and Components



## About ZJBENY

Top 1 in Australia, occupy 73% DC switch market share  
3800MW worldwide projects have been installed with ZJBENY's String boxes.  
As a pioneer manufacturer of true DC components, we supply more reliable solar combiner box and more customized solutions.

The best components for the best result.

The best components:  
The best key parts of DC components are made by ourself  
The best IP65 Polycarbonate enclosure are made by ourself

The best result:  
In 350000 residential solar projects, 80% of solar rooftop in Australia with 0 failure  
Work with you...



# Solar DC String Box

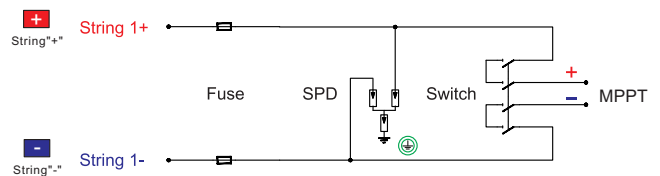
## 1 String Input 1 String Output DC



General Data		DC Surge Arrester	BUD-40/3
Model No.	BHS-1/1	Max Operation Voltage (Ucpv)	1000V
Input	1 string	Standard Compliance with	EN 50539 Type 2
Output	1 string	Maximum Discharge Current	40 KA
Maximum Voltage	1000V	Certification	TUV CE
Max DC Short Circuit Current Per Input (Isc)	15A (Changeable)		
Maximum Current Output	32A		
Enclosure		DC fuse holder	BR-30
Material Type	Polycarbonate/ABS	LED Indicator	Yes
Degree of Protection	IP65	Rated Working Voltage	1000V
Degree of Resistance to Impacts	IK10	Fuse Link	10x38mm LITTEL 15A
Dimension (WxHxD)	292 x 220 x 120mm	Certification	UL,CB,CE
Cable input Entry	PG09 Cable Gland, 2.5-16mm <sup>2</sup>		
Output Cable Gland	PG21 2.5-16mm <sup>2</sup>		
DC Switch Disconnecter		Environment	
Rated Insulation Voltage (Ui)	1000V	Operating Temperature	-20°C~+60°C
Rated Current (Ie)	32A	Humidity	99%
Category	DC21B/PV2	Altitude	2000M
Standard Compliance with	IEC 60947-3	Installation	Wall Mounting
Certification	UL, TUV,KEMA,SAA,CE		



**BHS-1/1**





## Solar DC String Box

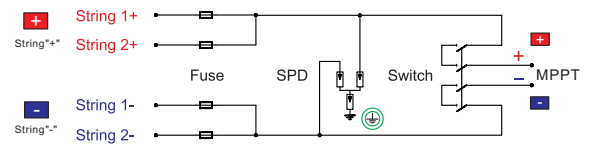
### 2 Strings Input 1 String Output DC



General Data		DC Surge Arrester	BUD-40/3
Model No.	BHS-2/1	Max Operation Voltage (Ucpv)	1000V
Input	2 strings	Standard Compliance with	EN 50539 Type 2
Output	1 string	Maximum Discharge Current	40 KA
Maximum Voltage	1000V	Certification	TUV CE
Max DC Short Circuit Current Per Input (Isc)	15A (Changeable)		
Maximum Current Output	32A		
Enclosure		DC fuse holder	BR-30
Material Type	Polycarbonate/ABS	LED Indicator	Yes
Degree of Protection	IP65	Rated Working Voltage	1000V
Degree of Resistance to Impacts	IK10	Fuse Link	10x38mm LITTEL 15A
Dimension (WxHxD)	292 x 220 x 120mm	Certification	UL,CB,CE
Cable input Entry	PG09 Cable Gland, 2.5-16mm <sup>2</sup>		
Output Cable Gland	PG21 2.5-16mm <sup>2</sup>		
DC Switch Disconnecter		Environment	
Rated Insulation Voltage (Ui)	1000V	Operating Temperature	-20°C~+60°C
Rated Current (Ie)	32A	Humidity	99%
Category	DC21B/PV2	Altitude	2000M
Standard Compliance with	IEC 60947-3	Installation	Wall Mounting
Certification	UL, TUV,KEMA,SAA,CE		



BHS-2/1





## Solar DC String Box

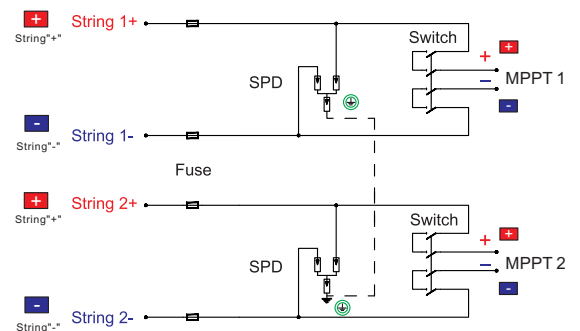
2 Strings Input 2 Strings Output DC



General Data		DC Surge Arrester	BUD-40/3
Model No.	BHS-2/2	Max Operation Voltage (Ucpv)	1000V
Input	2 strings	Standard Compliance with	EN 50539 Type 2
Output	2 strings	Maximum Discharge Current	40 KA
Maximum Voltage	1000V	Certification	TUV CE
Max DC Short Circuit Current Per Input (Isc)	15A (Changeable)		
Maximum Current Output	32A		
Enclosure		DC fuse holder	BR-30
Material Type	Polycarbonate/ABS	LED Indicator	Yes
Degree of Protection	IP65	Rated Working Voltage	1000V
Degree of Resistance to Impacts	IK10	Fuse Link	10x38mm LITTEL 15A
Dimension (WxHxD)	292 x 370 x 132mm	Certification	UL,CB,CE
Cable input Entry	PG09 Cable Gland, 2.5-16mm <sup>2</sup>		
Output Cable Gland	PG21 2.5-16mm <sup>2</sup>		
DC Switch Disconnecter		Environment	
Rated Insulation Voltage (Ui)	1000V	Operating Temperature	-20°C~+60°C
Rated Current (Ie)	32A	Humidity	99%
Category	DC21B/PV2	Altitude	2000M
Standard Compliance with	IEC 60947-3	Installation	Wall Mounting
Certification	UL, TUV,KEMA,SAA,CE		



BHS-2/2



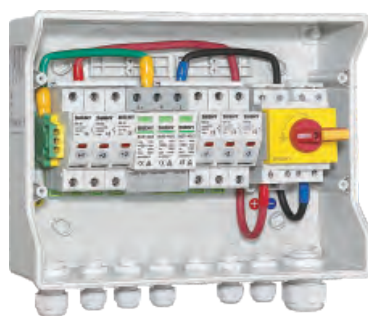


## Solar DC String Box

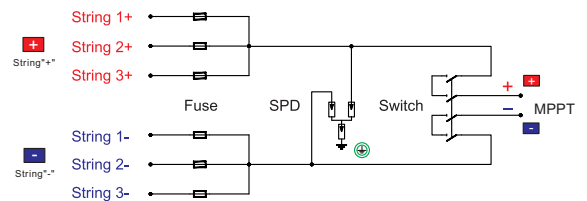
3 Strings Input 1 String Output DC



<b>General Data</b>		<b>DC Surge Arrester</b>	<b>BUD-40/3</b>
Model No.	BHS-3/1	Max Operation Voltage (Ucpv)	1000V
Input	3 strings	Standard Compliance with	EN 50539 Type 2
Output	1 string	Maximum Discharge Current	40 KA
Maximum Voltage	1000V	Certification	TUV CE
Max DC Short Circuit Current Per Input (Isc)	15A (Changeable)		
Maximum Current Output	32A		
<b>Enclosure</b>		<b>DC fuse holder</b>	<b>BR-30</b>
Material Type	Polycarbonate/ABS	LED Indicator	Yes
Degree of Protection	IP65	Rated Working Voltage	1000V
Degree of Resistance to Impacts	IK10	Fuse Link	10x38mm LITTEL 15A
Dimension (WxHxD)	292 x 220 x 120mm	Certification	UL,CB,CE
Cable input Entry	PG09 Cable Gland, 2.5-16mm <sup>2</sup>		
Output Cable Gland	PG21 2.5-16mm <sup>2</sup>		
<b>DC Switch Disconnecter</b>		<b>Environment</b>	
Rated Insulation Voltage (Ui)	1000V	Operating Temperature	-20°C~+60°C
Rated Current (Ie)	32A	Humidity	99%
Category	DC21B/PV2	Altitude	2000M
Standard Compliance with	IEC 60947-3	Installation	Wall Mounting
Certification	UL, TUV,KEMA,SAA,CE		



BHS-3/1

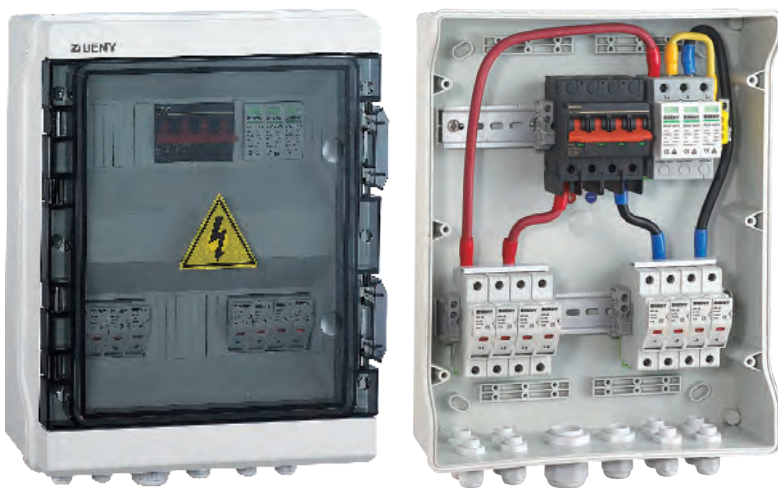


# Solar DC String Box

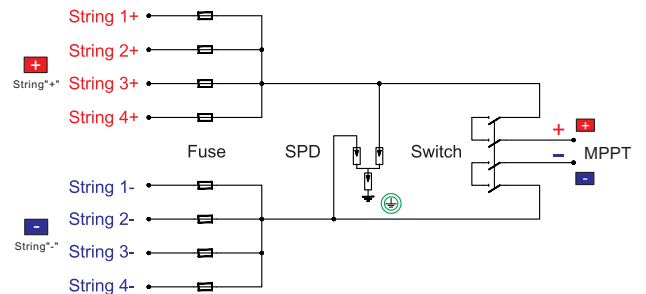
## 4 Strings Input 1 String Output DC



General Data		DC Surge Arrester	BUD-40/3
Model No.	BHS-4/1	Max Operation Voltage (Ucpv)	1000V
Input	4 strings	Standard Compliance with	EN 50539 Type 2
Output	1 string	Maximum Discharge Current	40 KA
Maximum Voltage	1000V	Certification	TUV CE
Max DC Short Circuit Current Per Input (Isc)	15A (Changeable)		
Maximum Current Output	63A		
Enclosure		DC fuse holder	BR-30
Material Type	Polycarbonate/ABS	LED Indicator	Yes
Degree of Protection	IP65	Rated Working Voltage	1000V
Degree of Resistance to Impacts	IK10	Fuse Link	10x38mm LITTEL 15A
Dimension (WxHxD)	292 x 370x 132mm	Certification	UL, CB, CE
Cable input Entry	PG09 Cable Gland, 2.5-16mm <sup>2</sup>		
Output Cable Gland	PG21 2.5-16mm <sup>2</sup>		
DC Switch Disconnecter		Environment	
Rated Insulation Voltage (Ui)	1000V	Operating Temperature	-20°C~+60°C
Rated Current (Ie)	63A	Humidity	99%
Category	DC21B	Altitude	2000M
Standard Compliance with	IEC 60947-3	Installation	Wall Mounting
Certification	CB, CE		



BHS-4/1



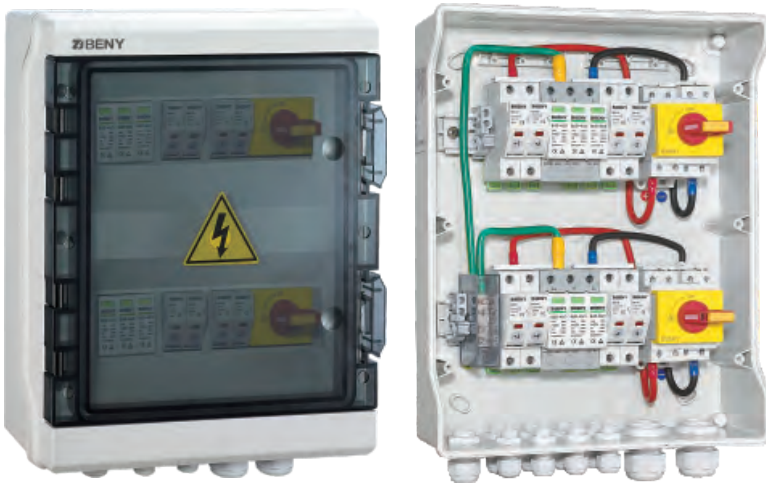


# Solar DC String Box

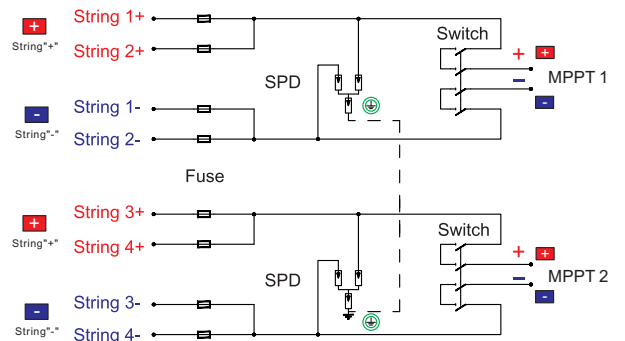
## 4 Strings Input 2 Strings Output DC



General Data		DC Surge Arrester	BUD-40/3
Model No.	BHS-4/2	Max Operation Voltage (Ucpv)	1000V
Input	4 strings	Standard Compliance with	EN 50539 Type 2
Output	2 strings	Maximum Discharge Current	40 KA
Maximum Voltage	1000V	Certification	TUV CE
Max DC Short Circuit Current Per Input (Isc)	15A (Changeable)		
Maximum Current Output	32A		
Enclosure		DC fuse holder	BR-30
Material Type	Polycarbonate/ABS	LED Indicator	Yes
Degree of Protection	IP65	Rated Working Voltage	1000V
Degree of Resistance to Impacts	IK10	Fuse Link	10x38mm LITTEL 15A
Dimension (WxHxD)	292 x370 x 132mm	Certification	UL,CB,CE
Cable input Entry	PG09 Cable Gland, 2.5-16mm <sup>2</sup>		
Output Cable Gland	PG21 2.5-16mm <sup>2</sup>		
DC Switch Disconnecter		Environment	
Rated Insulation Voltage (Ui)	1000V	Operating Temperature	-20°C~+60°C
Rated Current (Ie)	32A	Humidity	99%
Category	DC21B/PV2	Altitude	2000M
Standard Compliance with	IEC 60947-3	Installation	Wall Mounting
Certification	UL, TUV,KEMA,SAA,CE		



BHS-4/2





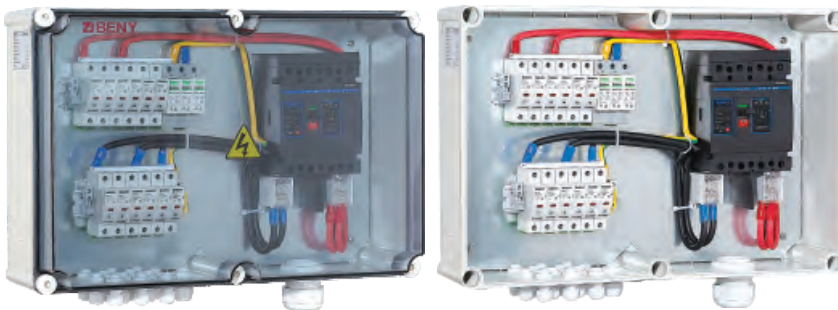


# Solar DC String Box

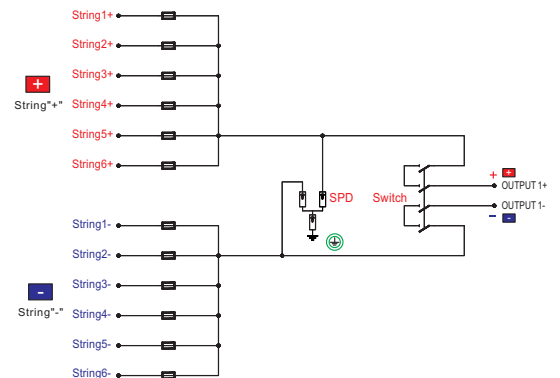
## 6 Strings Input 1 String Output DC



General Data		DC Surge Arrester	BUD-40/3
Model No.	BHS-6/1	Max Operation Voltage (Ucpv)	1000V
Input	6 strings	Standard Compliance with	EN 50539 Type 2
Output	1 string	Maximum Discharge Current	40 KA
Maximum Voltage	1000V	Certification	TUV CE
Max DC Short Circuit Current Per Input (Isc)	15A (Changeable)		
Maximum Current Output	80A		
Enclosure		DC fuse holder	BR-30
Material Type	Polycarbonate/ABS	LED Indicator	Yes
Degree of Protection	IP65	Rated Working Voltage	1000V
Degree of Resistance to Impacts	IK10	Fuse Link	10x38mm LITTEL 15A
Dimension (WxHxD)	540 x 360x 180mm	Certification	UL,CB,CE
Cable input Entry	PG09 Cable Gland, 2.5-16mm <sup>2</sup>		
Output Cable Gland	PG36 50-70mm <sup>2</sup>		
DC Switch Disconnecter		Environment	
Rated Insulation Voltage (Ui)	1000V	Operating Temperature	-20°C~+60°C
Rated Current (Ie)	125A	Humidity	99%
Standard Compliance with	IEC 60947-3	Altitude	2000M
Certification	CB, CE	Installation	Wall Mounting



BHS-6/1



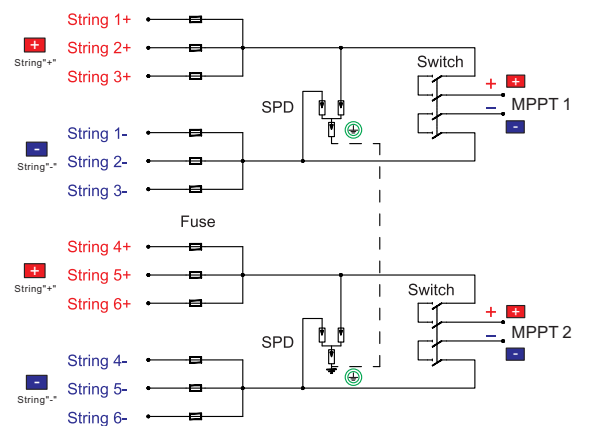
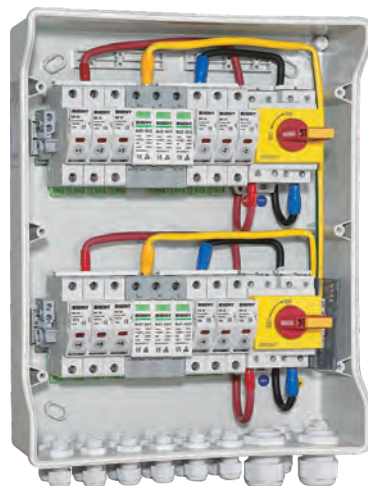


# Solar DC String Box

## 6 Strings Input 2 Strings Output DC



General Data		DC Surge Arrester	BUD-40/3
Model No.	BHS-6/2	Max Operation Voltage (Ucpv)	1000V
Input	6 strings	Standard Compliance with	EN 50539 Type 2
Output	2 strings	Maximum Discharge Current	40 KA
Maximum Voltage	1000V	Certification	TUV CE
Max DC Short Circuit Current Per Input (Isc)	15A (Changeable)		
Maximum Current Output	32A		
Enclosure		DC fuse holder	BR-30
Material Type	Polycarbonate/ABS	LED Indicator	Yes
Degree of Protection	IP65	Rated Working Voltage	1000V
Degree of Resistance to Impacts	IK10	Fuse Link	10x38mm LITTEL 15A
Dimension (WxHxD)	292 x 370x 132mm	Certification	UL,CB,CE
Cable input Entry	PG09 Cable Gland, 2.5-16mm <sup>2</sup>		
Output Cable Gland	PG21 2.5-16mm <sup>2</sup>		
DC Switch Disconnecter		Environment	
Rated Insulation Voltage (Ui)	1000V	Operating Temperature	-20°C~+60°C
Rated Current (Ie)	32A	Humidity	99%
Category	DC21B/PV2	Altitude	2000M
Standard Compliance with	IEC 60947-3	Installation	Wall Mounting
Certification	UL, TUV, KEMA, SAA, CE		



BHS-6/2

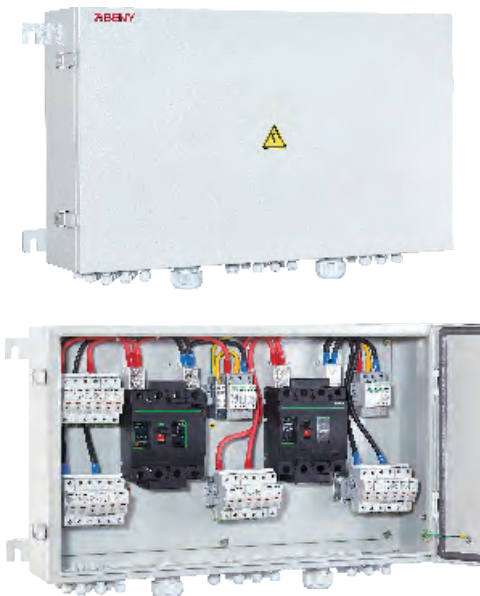


# Solar DC String Box

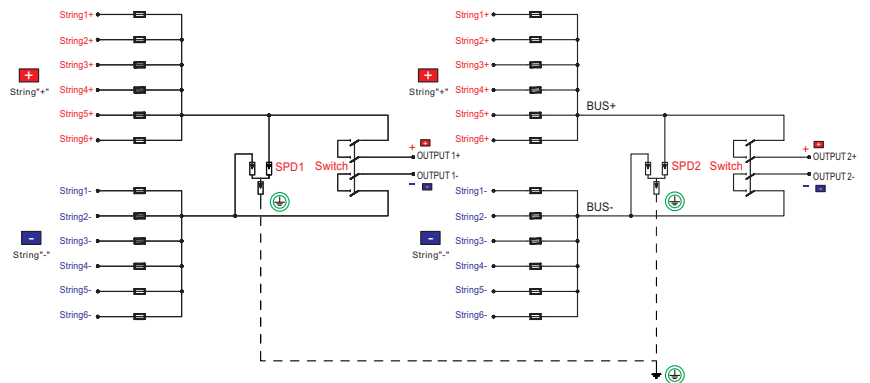
## 12 Strings Input 2 Strings Output DC



General Data		DC Surge Arrester	BUD-40/3
Model No.	BHT-12/2	Max Operation Voltage (Ucpv)	1000V
Input	12 strings	Standard Compliance with	EN 50539 Type 2
Output	2 strings	Maximum Discharge Current	40 KA
Maximum Voltage	1000V	Certification	TUV CE
Max DC Short Circuit Current Per Input (Isc)	15A (Changeable)	String Monitoring Device	Yes (optional)
Maximum Current Output	125A	Diode for the Function of Anti-Reflex	Yes (optional)
Enclosure		DC fuse holder	BR-30
Material Type	Metal	LED Indicator	Yes
Degree of Protection	IP65	Rated Working Voltage	1000V
Degree of Resistance to Impacts	IK10	Fuse Link	10x38mm LITTEL 15A
Dimension (WxHxD)	750x450x180mm	Certification	UL, CB, CE
Cable input Entry	PG09 Cable Gland, 2.5-16mm <sup>2</sup>		
Output Cable Gland	PG36 50-70mm <sup>2</sup>		
DC Switch Disconnecter		Environment	
Rated Insulation Voltage (Ui)	1000V	Operating Temperature	-20°C~+60°C
Rated Current (Ie)	125A	Humidity	99%
Standard Compliance with	IEC 60947-3	Altitude	2000M
Certification	CB	Installation	Wall Mounting



**BHT-12/2**



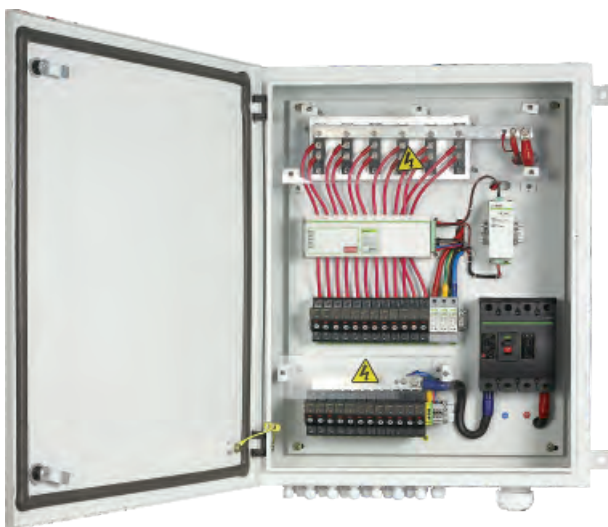


# Solar DC String Box

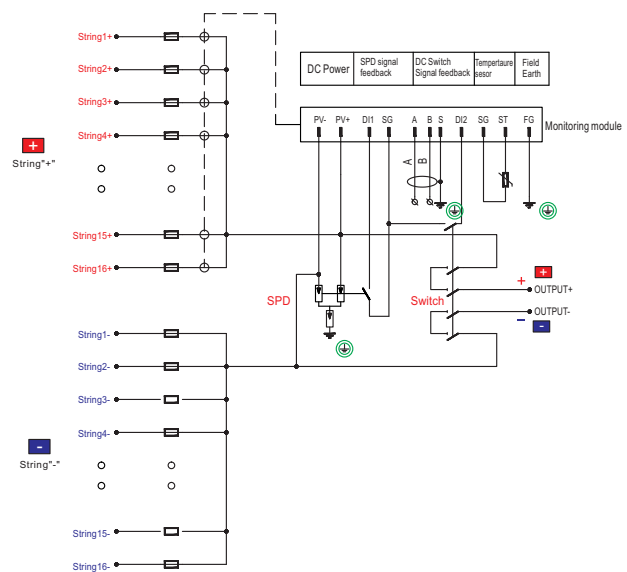
## 16 Strings Input 1 String Output DC



General Data		DC Surge Arrester	BUD-40/3
Model No.	BHTZ-16/1	Max Operation Voltage (Ucpv)	1000V
Input	16 strings	Standard Compliance with	EN 50539 Type 2
Output	1 string	Maximum Discharge Current	40 KA
Maximum Voltage	1000V	Certification	TUV CE
Max DC Short Circuit Current Per Input (Isc)	15A (Changeable)	String Monitoring Device	Yes (optional)
Maximum Current Output	250A	Diode for the Function of Anti-Reflux	Yes (optional)
Enclosure		DC fuse holder	BR-30
Material Type	Metal	LED Indicator	Yes
Degree of Protection	IP65	Rated Working Voltage	1000V
Degree of Resistance to Impacts	IK10	Fuse Link	10x38mm LITTEL 15A
Dimension (WxHxD)	650 x 600x 210mm	Certification	UL,CB,CE
Cable input Entry	PG09 Cable Gland, 2.5-16mm <sup>2</sup>	Environment	
Output Cable Gland	PG36 50-70mm <sup>2</sup>	Operating Temperature	-20°C~+60°C
DC Switch Disconnecter		Humidity	99%
Rated Insulation Voltage (Ui)	1000V	Altitude	2000M
Rated Current (Ie)	250A	Installation	Wall Mounting
Standard Compliance with	IEC 60947-3		
Certification	CB		



**BHTZ-16/1**





## AC Box BHS AC Distribution Box



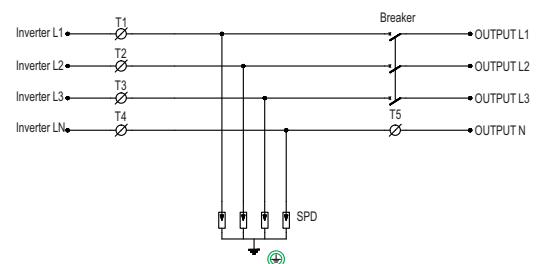
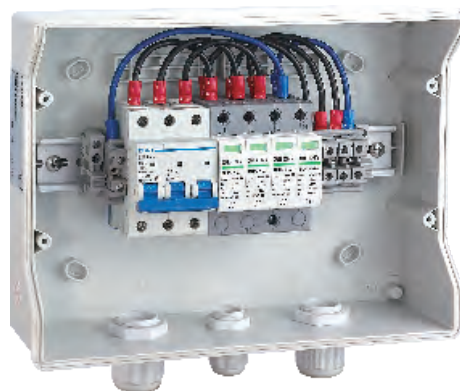
General Data		AC Surge Arrester	
Model No.	BHS AC	Electric rating	220V~440V, 50-60HZ
Rated Voltage	AC 220V~400V	Maximum Discharge Current	40 KA
Rated Current	0-125A	Standard Compliance with	EN 61643-11
Rated frequency	50-60Hz	Certification	CE

Enclosure		Environment	
Material Type	Polycarbonate/ABS	Operating Temperature	-20°C~+60°C
Degree of Protection	IP65	Humidity	99%
Degree of Resistance to Impacts	IK10	Altitude	2000M
Dimension (WxHxD)	292 x 220x 120mm	Installation	Wall Mounting
Cable input Entry	PG25 2.5-25mm <sup>2</sup>		
Output Cable Gland	PG25 2.5-25mm <sup>2</sup>		

Modular measurement and control relays	
Network number of phases	Single Phase/3 Phases
Rated Current	0-125A
Measurement range	220V~400V voltage AC
Supply frequency	50~60 Hz ± 10%



**BHS**

ZJBENY design and assemble AC combiner box and AC distribution box for solar PV systems AC side string protection and distribution. To reduce the system connection cable length and improve the reliability of the system, it is necessary to use the AC grid box between the inverter and the network cabinet. AC combine box has lightning protection and switch isolation, set aside energy measurement function, for single-phase energy and three-phase energy measurement and control management.



# AC Box

## BHT AC Distribution Box



### General Data

Model No.	BHT
Main circuit rated Voltage	AC 230V/400V
Auxiliary circuit rated voltage	AC230V
Rated Current	0-500A
Rated frequency	50-60Hz

### AC Surge Arrester

Electric rating	220V~400V, 50-60HZ, 3 phase
Maximum Discharge Current	40 KA
Standard Compliance with	EN 61643
Certification	CE

### Enclosure

Material Type	Metal
Degree of Protection	IP65

### Power Meter

Rated supply voltage (Us)	100~277 V AC(45~65 Hz)/173~480 V AC(45~65 Hz)
Network frequency	50 Hz /60 Hz
Rated current (In)	1 A /5 A
Poles description	3P /3P + N
Power consumption in VA	5 VA
Display type	Backlit LCD

### Modular measurement and control relays NH40

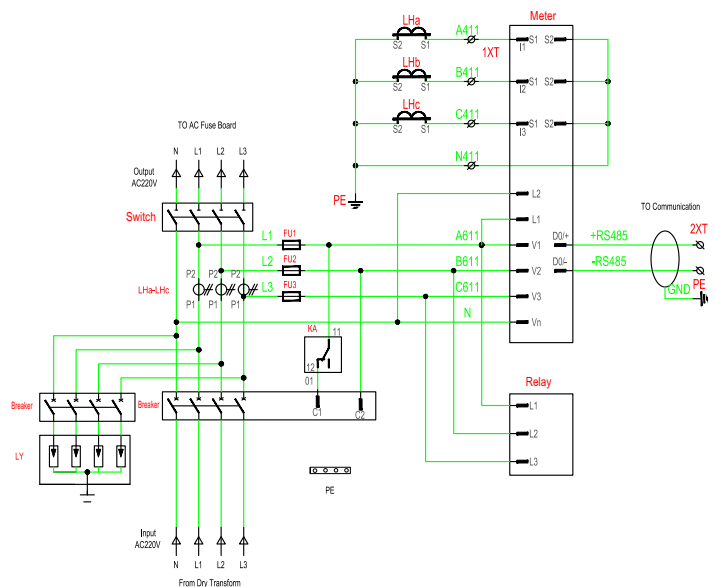
Network number of phases	3 phases
Rated Current	0-500A
Measurement range	220V~400V voltage AC
Supply frequency	50~60 Hz +/- 10 %

### Environment

Operating Temperature	-20°C~+60°C
Humidity	99%
Altitude	2000M
Installation	Wall Mounting



BHT



ZJBENY design and assemble AC combiner box and AC distribution box for solar PV systems AC side string protection and distribution. To reduce the system connection cable length and improve the reliability of the system, it is necessary to use the AC grid box between the inverter and the network cabinet. AC combine box has lightning protection and switch isolation, set aside energy measurement function, for single-phase energy and three-phase energy measurement and control management.



## PV Waterproof Box

08 Modules



### Protection

Protection class	IP 65
Insulation	Class II
Material	polycarbonate/ABS
Shock resistance	IK10
Protection against chemicals and weather conditions	Water, saline solutions, acids, basics, mineral oils, UV rays
Operating temperature	-25°C~+100°C

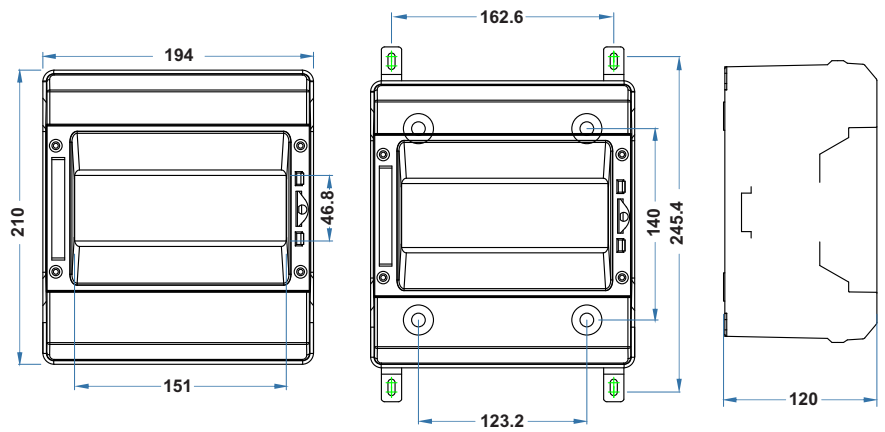
### Performance

Nominal insulation voltage	1000V AC~1500V DC
Flexibility WxHxD, external dimensions	210x194x120mm

Unit:mm



**BX08**





## PV Waterproof Box

### 13 Modules



#### Protection

Protection class	IP 65
Insulation	Class II
Material	polycarbonate/ABS
Shock resistance	IK10
Protection against chemicals and weather conditions	Water, saline solutions, acids, basics, mineral oils, UV rays
Operating temperature	-25°C~+100°C

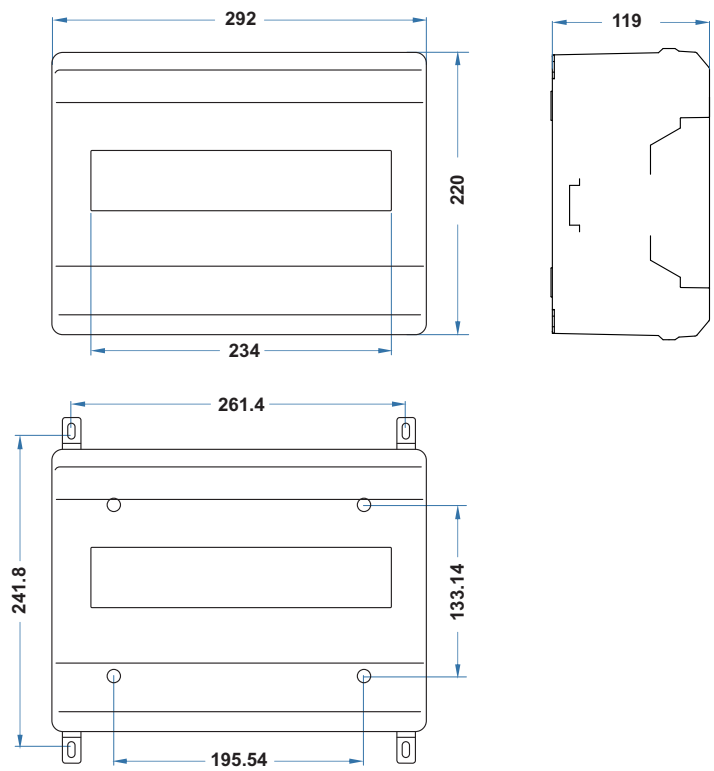
#### Performance

Nominal insulation voltage	1000V AC~1500V DC
Flexibility WxHxD, external dimensions	292x220x119mm

Unit:mm



**BX13**







## PV Waterproof Box

### 15 Modules



#### Protection

Protection class	IP 65
Insulation	Class II
Material	polycarbonate/ABS
Shock resistance	IK10
Protection against chemicals and weather conditions	Water, saline solutions, acids, basics, mineral oils, UV rays
Operating temperature	-25°C~+100°C

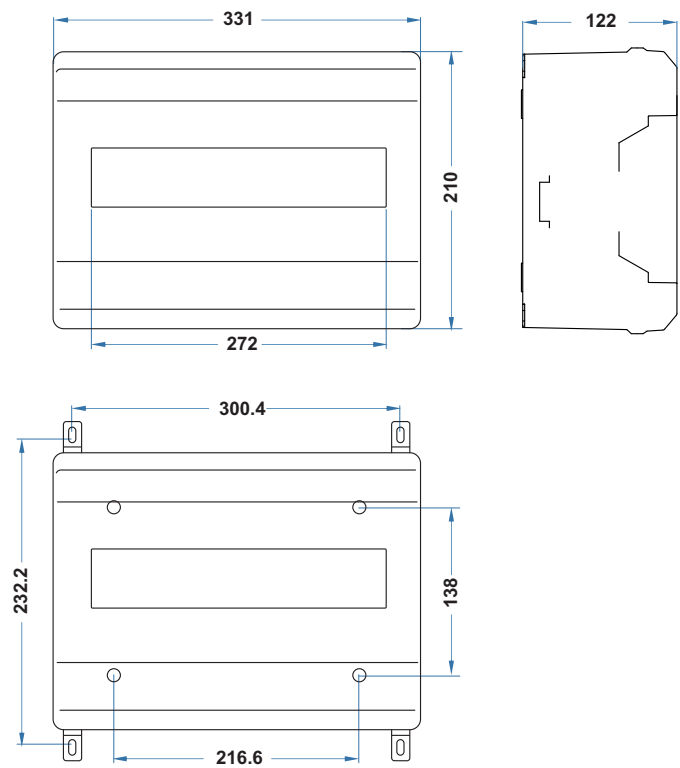
#### Performance

Nominal insulation voltage	1000V AC~1500V DC
Flexibility WxHxD, external dimensions	331x210x122mm

Unit:mm



**BX15**



## PV Waterproof Box 26 Modules



### Protection

Protection class	IP 65
Insulation	Class II
Material	polycarbonate/ABS
Shock resistance	IK10
Protection against chemicals and weather conditions	Water, saline solutions, acids, basics, mineral oils, UV rays
Operating temperature	-25°C~+100°C

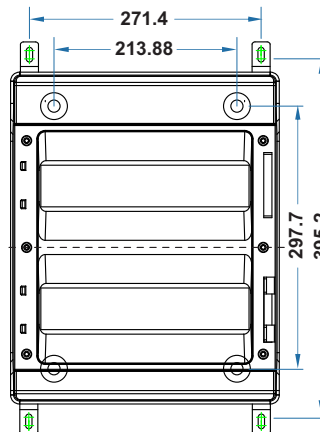
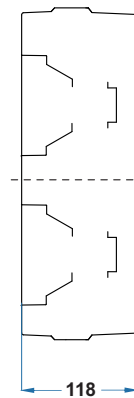
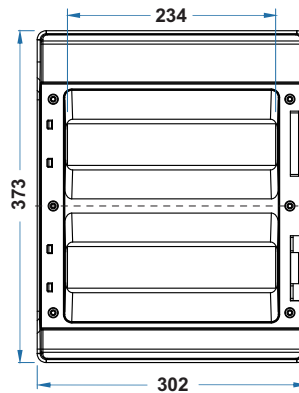
### Performance

Nominal insulation voltage	1000V AC~1500V DC
Flexibility WxHxD, external dimensions	302x373x118mm

Unit:mm



**BX26**





## PV Waterproof Box

39 Modules



### Protection

Protection class	IP 65
Insulation	Class II
Material	polycarbonate/ABS
Shock resistance	IK10
Protection against chemicals and weather conditions	Water, saline solutions, acids, basics, mineral oils, UV rays
Operating temperature	-25°C~+100°C

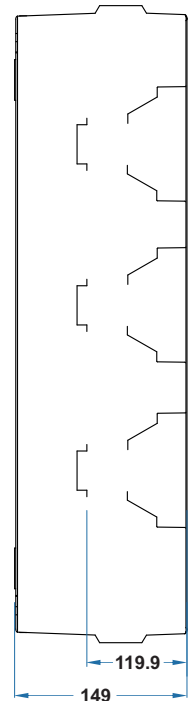
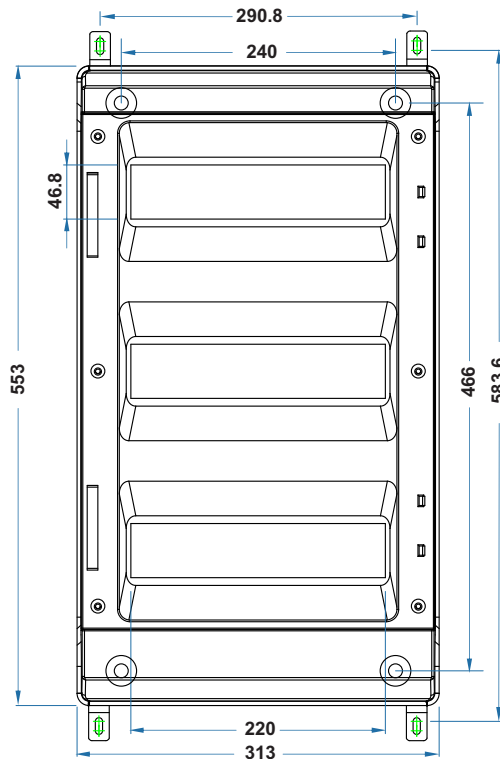
### Performance

Nominal insulation voltage	1000V AC~1500V DC
Flexibility WxHxD, external dimensions	313x553x149mm

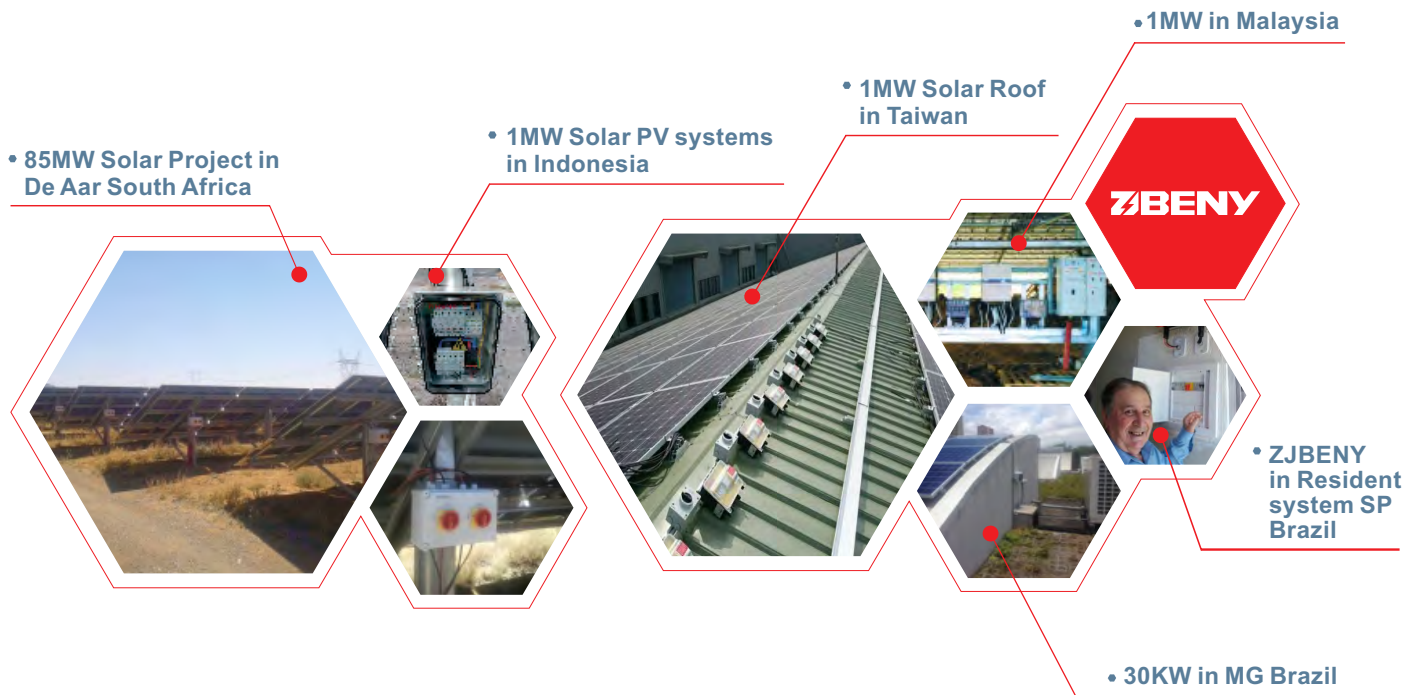
Unit:mm



**BX39**



# ZJBENY String Boxes In Projects



- ◆ 73% market share in AU of DC switch
- ◆ Top 1 DC components manufacturer in China
- ◆ Top 1 Solar String Box manufacturer in China



## ZHEJIANG BENYI ELECTRICAL CO., LTD

Address: Wenzhou Bridge Industrial Zone,  
Beibaixiang Town, Zhejiang China

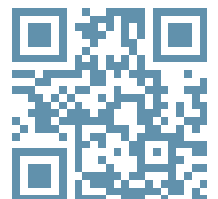
TEL: +86-577-5717 7008

FAX: +86-577-5717 7007

Email: [benyi@zjbeny.com](mailto:benyi@zjbeny.com)

Http: // [www.zjbeny.com](http://www.zjbeny.com)

⚠ If the models and specifications in this product catalogue is changed due to the change of products, we will not inform .



Scan it to **ZJBENY** website!